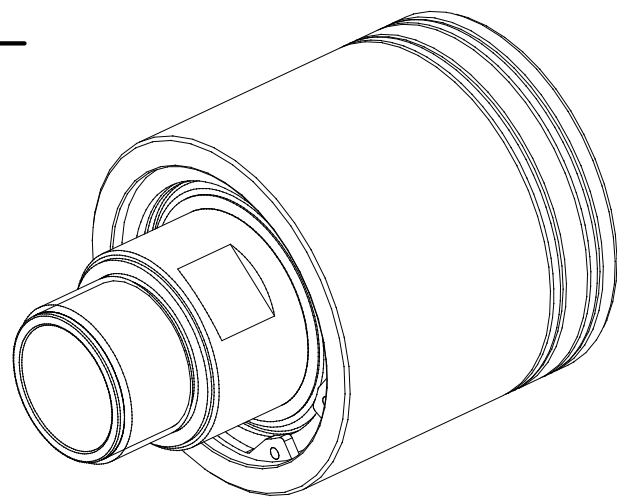
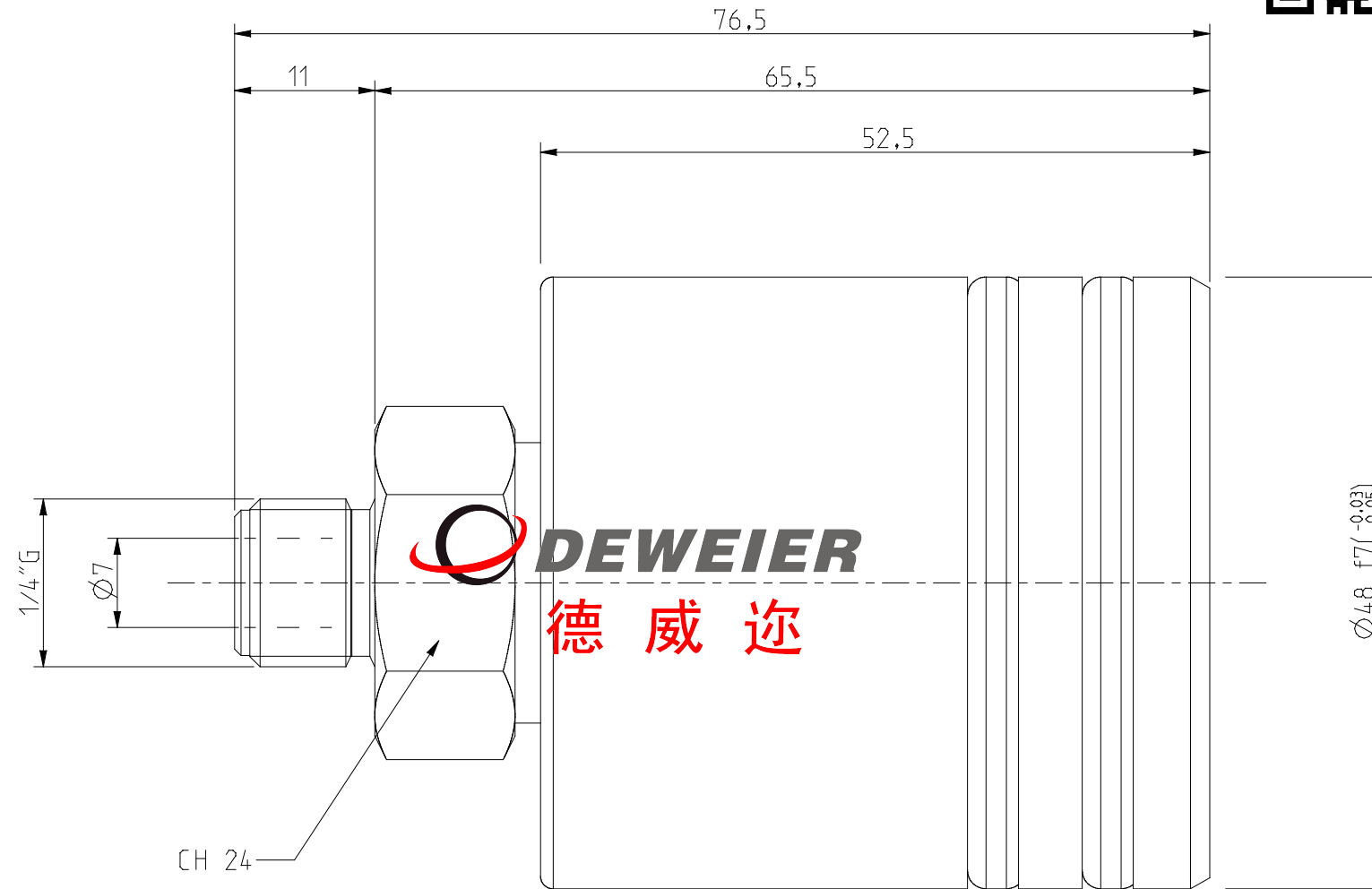


DGR08-2000-03R



枣庄市德威迩机械科技有限公司

Dewel Machinery Technology Co., Ltd.

技术参数 TECHNICAL PARAMETERS

使用参数 Working parameters

技术参数 TECHNICAL PARAMETERS		使用参数 Working parameters			
		介质 Fluid	压力 Pressure	温度 Temperature	转速 Rotating speed
MAX. PRESSURE	4.0MPa; (40Bar)	空气 Air	1.0MPa;	-30℃----+120℃	3000RPM
MAX. SPEED	3500RPM;	水 Water	1.1MPa;	-30℃----+120℃	3500RPM
TEMPERATURE	-30℃----+120℃	Double high-precision groove ball bearings for high stability.			
MEDIA TYPE 介质	water/Hot water/air/oil 热水/冷却水/压缩空气/油品	Balanced mechanical sealing structure for prolonged service life.			
备注: 技术参数数据为最大值, 并不能同时使用; The technical parameter data is the maximum value and cannot be used of the same time.		Standard Sic/Carbon Graphite sealing pair for good sealing performance. Optional Sic/Sic, Tungsten carbide/Tungsten carbide and other sealing pairs for strict environment.			

订货编号 Order-No.

Copper 铜壳	Aluminum 铝壳	Stainless 不锈钢壳
DGR08-2001-03R	DGR08-2002-03R	DGR08-2003-03R
适用介质: 水/热水/油品等 Applicable medium: water/hot water/oil	适用介质: 压缩空气/液压油等 Applicable medium: compressed air hydraulic oil	适用介质: 冷却水/切削液 Applicable medium: water/cutting fluid

旋转接头
Rotary joint

E-mail: sddeweier88@163.com www.sddeweier.com

DEWEIER
德威迩

TEL: +86 632 5822778
TEL: +86 632 5832779

P/N: DGR08-2000-03R